

MERIDIAN

OptiTouch 55

The epitome of style, design, and function; the OptiTouch 55 is Meridian's premier transparent screen solution. Creating a dramatically showstopping way to modernize a vibrant or busy space. The OptiTouch 55 offers both dynamic and static displays at once, maximizing usability and artistic expression that is both sleek and striking.



STANDARD COMPONENTS

- 55" Look thru display
- Audio and Microphone
- Webcam
- Proximity Sensor
- Cellular ready
- Intel Core i7 Windows PC

AVAILABLE SCREEN SIZES: 55"



STANDARD CONSTRUCTION

- Durable Aluminum Enclosure
- High Quality Powder Coat Finish
- Dual Sided

OPTIONAL COMPONENTS

- Additional Banding Options
- Static Wayfinding Directory Signage
- LED Signage
- Custom Shop Upgrades



*Delivering American Made
Self Service Solutions Since 1999*

POWDER COAT OPTIONS:



Custom Pantone Matching Available
Full Color Lexan Laminated Graphics Available



SCREEN

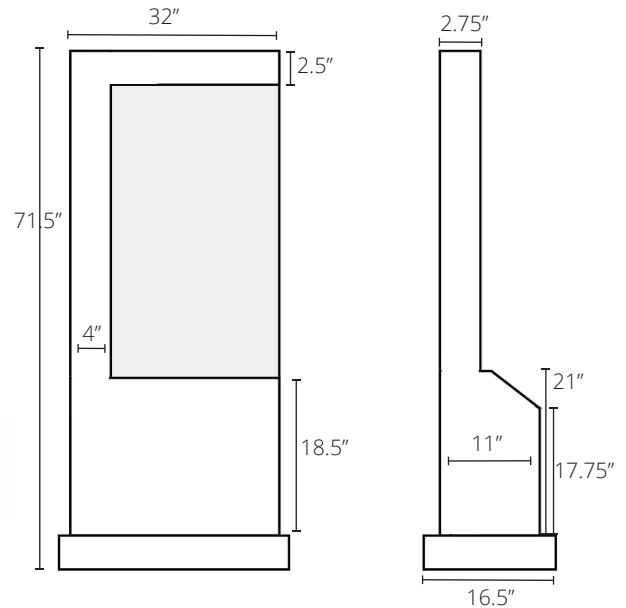
- High Definition LED
- 1920x1080P Resolution*
- 16:9 Aspect Ratio

POWER

- 120 Volt, 20 AMP Circuit, 50/60 Hz
- Internal Power Strip with Surge Protection
- International Power Conversion Available

DIMENSIONS (55" UNIT*)

Height: 71.5" Width: 32"
Depth: 2.75" Weight: ~ 90 lbs
Base Plate: 32" x 16.5"



Meridian is a complete end-to-end self-service innovator, all of our products are designed and built in house, OEM solutions are available upon request.

For More Information

SALES@MZERO.COM | 866 454 6757



QUALITY + CERTIFICATION

Meridian promises a level of quality that goes beyond the expected. We control every step of our process from concept to completion, overseeing quality, design, cost and timelines. Many of our products can be UL Listed through UL self-certify and our processes are ISO 9001:2015 certified.

