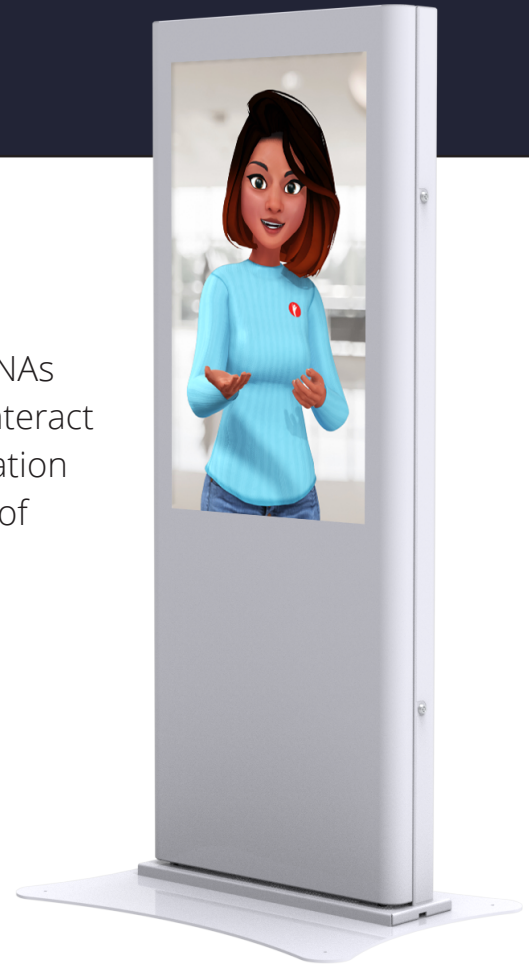


MERIDIAN[®]

A.I. Health Assistant

Meridian's world class hardware solutions teamed up with PRSONAs technology to create a world class virtual assistant designed to interact with customers and guests and help with wayfinding and information in real time as a two way conversation. Also available in a variety of language and accent preferences as well as physical animations designed to offer the best user experience possible .



AVAILABLE COMPONENTS:

- HD Camera
- Proximity sensor
- Wayfinding capabilities
- WiFi or Cellular Connectivity
- Real time interactions & response to verbal cues
- Multiple languages: English, ASL, Spanish, Japanese, & mor
- Durable 14 Gauge Steel Enclosure
- High Quality Powder Coat Finish
- Locked Rear Access Panel

AVAILABLE SCREEN SIZES: 55"

Both landscape and portrait orientation available



*Delivering American Made
Self Service Solutions Since 1999*

POWDER COAT COLOR OPTIONS:



Custom Pantone Matching Available
Full Color Lexan Laminated Graphics Available



POWER:

- 120 Volt, 20 AMP Circuit, 50/60 Hz
- Internal Power Strip with Surge Protection
- International Power Conversion Available

For More Information
SALES@MZERO.COM | 866 454 6757

 Delivering American Made
Self Service Solutions Since 1999



DIMENSIONS: (55" UNIT)

**Dimensions and drawing for other screen sizes available upon request
Landscape and portrait orientation available*

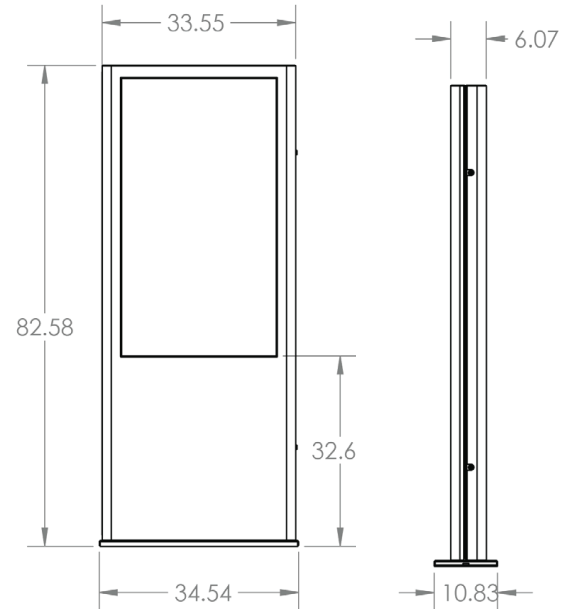
Height: 82.5"

Depth: 6"

Base Plate: 34.5" x 10.8"

Width: 33.5"

Weight: ~ 450 lb



STANDARD CONSTRUCTION:

- Durable 14 Gauge Steel Enclosure
- High Quality Powder Coat
- Standard Security Locks
- ADA Compliant



Meridian is a complete end-to-end self-service innovator, all of our products are designed and built in house, OEM solutions are available upon request.

QUALITY + CERTIFICATION

Meridian promises a level of quality that goes beyond the expected. We control every step of our process from concept to completion, overseeing quality, design, cost and timelines. Many of our products can be UL Listed through UL self-certify and our processes are ISO 9001:2015 certified. We are also SOC2 compliant.